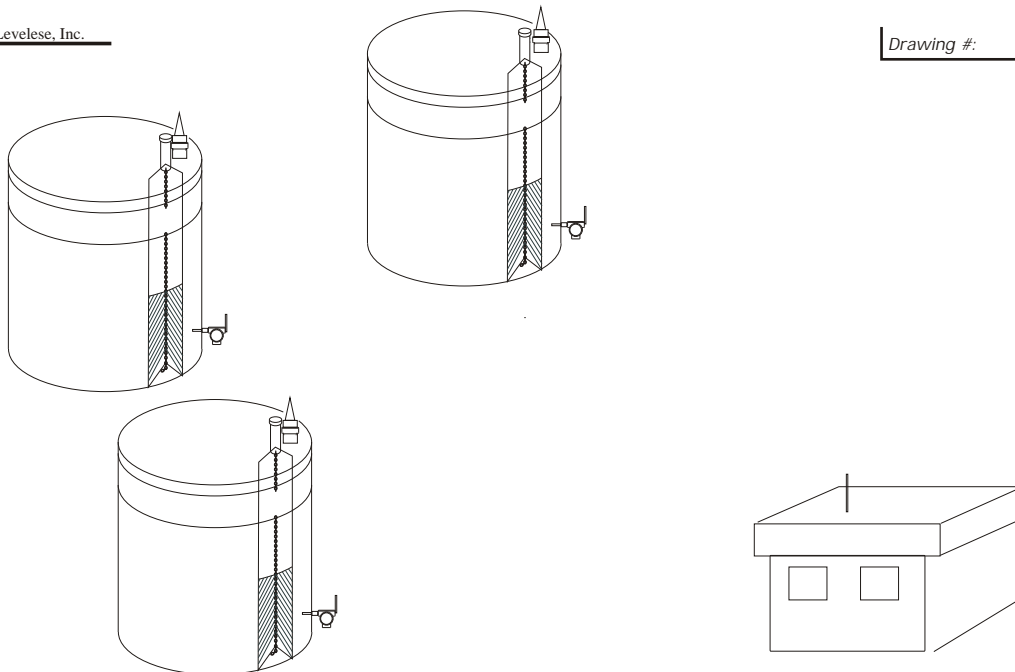


Note All instruments
 on tanks explosion proof or
 certified intrinsically safe
 CLASS 1, DIV 1, GROUPS C&D

Description: Tank Level-Temperature System		<small>These Drawings and specifications contain information proprietary to Levelese, Inc. and are issued in strict confidence. As the property of Levelese, Inc. these drawings and specifications shall not be reproduced, disclosed to others or used as the basis for the manufacture or sale of goods without prior written consent of Levelese, Inc. The date shown on this drawing is the copyright date.</small>
Material:		
Drawn By: SAO	Date: 11-01-08 Checked by:	
		Phone: 720-333-3447



Note All instruments
 on tanks explosion proof or
 certified intrinsically safe
 CLASS 1, DIV 1, GROUPS C&D

Description: Wireless Tank Level-Temp System		<small>These Drawings and specifications contain information proprietary to Levelese, Inc. and are issued in strict confidence. As the property of Levelese, Inc. these drawings and specifications shall not be reproduced, disclosed to others or used as the basis for the manufacture or sale of goods without prior written consent of Levelese, Inc. The date shown on this drawing is the copyright date.</small>
Material:		
Drawn By: SAO	Date: 11-01-08 Checked by:	
		Phone: 720-333-3447